

AIR FLUIDIZED SUPPORT SYSTEM LI-7 STANDARD TYPE

A Wound management System – Air Fluidized Therapy Bed

De-pressurize and/or immobilize patient of burns, bed sores, skin harvest on its posterior.



ISO 13485:2016

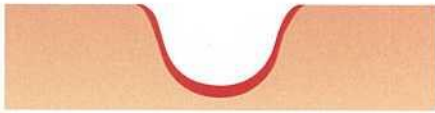


KEISEI MEDICAL INDUSTRIAL CO., LTD.

Air Fluidized Support System helps natural wound healing power

The 3 Steps of the Wound Healing Process

1. Inflammation



2. Proliferation

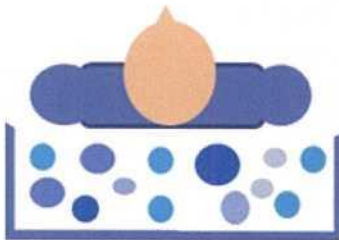


3. Remodeling



De-pressurization by
air fluidized support system
promotes posterior wound
healing

Moisturization
promotes healing



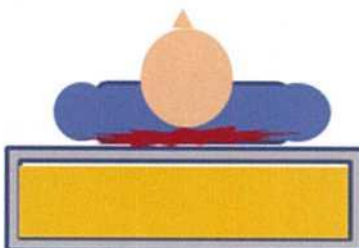
Air Fluidized Bed



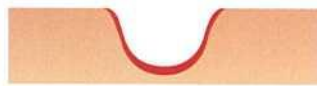
Pressure is the worst negative factor for smooth wound healing.

Pressurization by
regular bed etc. delays
posterior wound healing

Disinfection
delays healing



Urethane mattress bed



Diligent maintenance / decontamination assures clean environment and long system life

Sieve



Air filter



Filter Sheet



Air cleaner and Air filters

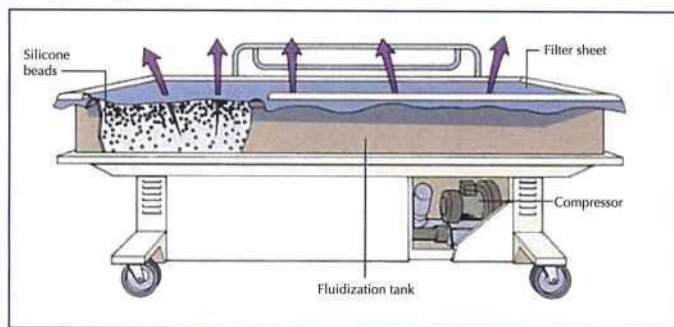


Full description:

- | | |
|--|---|
| <ol style="list-style-type: none"> 1. Operation Power
Power Voltage AC 200 ~ 240V
Frequency of Electric Power 50/60 Hz
Power Consumption 1400 W 2. System weight, total 670kg
 machine 245kg
 ceramic beads 425kg 3. Air Flow Volume rate 1.7m³ /minute 4. Operation Temperature
Temperature setting range: 25 ~ 38°C (0.1°C increment) 5. Intermittent Timer (optional)
Fluidization time setting range: 0 ~ 9999 seconds
De-Fluidization time setting range: 0 ~ 99 min 59 sec | <ol style="list-style-type: none"> 6. Automatic weight monitor (optional), with following parameters:
Weight measure: 0kg to 150kg
Weight change: -99.9kg to +150kg 7. Ceramic Beads
Medical Grade Soda lime sphere
Diameter: 0.05 ~ 0.15mm
Specific Gravity at Fluidization: 1.5 8. Filter Sheet made from Monofilament Polyester
mesh open: 0.037mm 9. CPR ready: 5 sec or less after Emergency button press 10. Operated-hour count and display: 000,000.0 - 999,999.9 hours 11. Noise Level: 50 dB or less 12. Beads Tank: ABS |
|--|---|

Air-fluidized therapy bed

The air-fluidized therapy bed is a large tub filled with microspheres that are suspended by air pressure and give the patient fluidlike support. The bed provides the advantages of flotation without the disadvantages of instability, patient positioning difficulties, and immobility.



LI-7 Air Fluidized Support System

Specification

LI-7-ST-CE		LI-7 standard type	
dimension	main unit	905 (W) 880 (H)	2,200 (L) mm
weight	main unit	245 kg	
	ceramic beads	425 kg	
Beads fluidization level	single level		
Beads temperature controllable range	room temperature, plus 2°C - 20°C		
Power consumption	1.1 kW		
Beads temperature setting range	25°C - 38°C		
Filter Sheet	Monofilament polyester mesh: 0.037mm		
Patient height, maximum	200 cm		
Patient weight, maximum	135 kg	over 100 kg: reduce one kg beads for every one kg weight increase	

Ordering information

LI-7-ST-CE		LI-7 standard type	
standard accessories			
	18	ceramic beads 25 kg (17 plus 1 spare)	
	2	filter sheet	
	1	vinyl sheet (machine cover)	
	1	screen (sieve)	
	2	air cleaner	
	1	air filter (for standard)	
	1	pre filter (for standard)	
	1	operation manual (LI-7 standard type)	

Ordering code	Factory options
LI-7-ST-IN	Intermittent fluidization controller
LI-7-ST-WS	Patient weight scale (4 pcs load cell, display)
LI-7-ST-SW	Hand switch (switch and switch board)

Dealer options

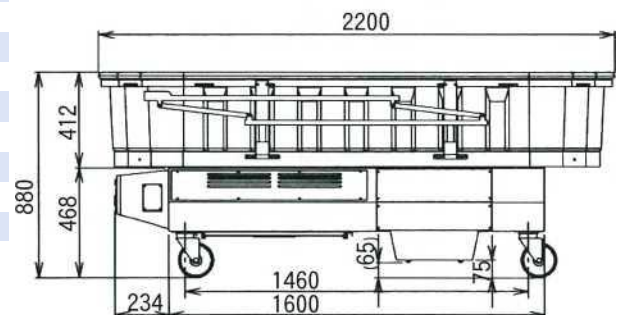
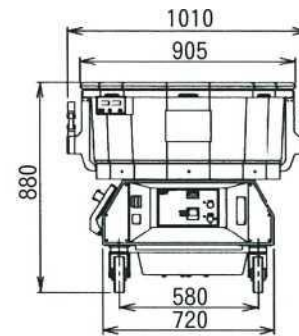
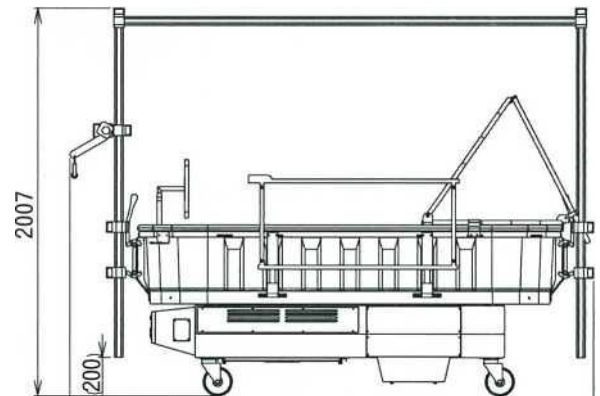
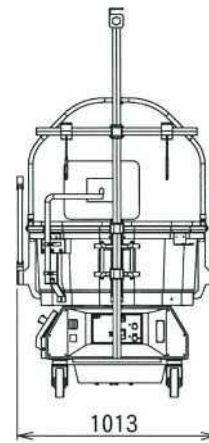
LI-7-ST-BS	Built-in step (with bracket only for standard)
LI-7-SR	Side rail (with bracket)
LI-7-IV	IV holder (with bracket)
LI-7-GU	Gatch up back rest
L-LAND3-20	Back rest A
L-LAND3-21	Back rest B
LI-7-ST-BH	Bag hook
LI-7-PTD	Traction device with bracket
LI-7-PTDB	Trapeze bar for traction device
LI-7-PL	Patient lifter with sling sheet
L-LAND3-22	Foot support (with bracket)
LI-7-TBH34-EXP	Trapeze bar holder 34mm <Φ>

Maintenance goods

LI-7-FS	Filter sheet
L-LAND3-16	Vinyl sheet
L-LAND3-4	Air cleaner
LI-7-ST-FF	Air filter (for standard)
LI-7-ST-PF	Pre filter (for standard)
TS-600-5S	Ceramic beads 25 kg/can
LI-7-SCR	Screen (sieve)

Parts

LI-7-ST-HS	Hand switch
LI-7-ST-FS	Foot switch



KEISEI MEDICAL INDUSTRIAL CO. LTD.

Head Office 3-19-6, Hongo, Bunkyo-ku, Tokyo 113-0033, Japan



MEDEXPORT CO. LTD.

1-36-3, Chuo, Nishi-ku, Yokohama 220-0051, Japan
Tel: +81-70-4495-9875

Distribution info@medexport-japan.com

www.medexport-japan.com